



SUBMITTAL/TECHNICAL DATA SHEET

APPLICATION

MI-FVP flush valve panel is designed for back supply toilets and urinals where the flush valve is built into the wall. This panel allows easy access to service the flush valve by maintenance personnel. The panel provides protection to the flush valve from vandalism.

SPECIFICATIONS

MATERIAL:
MI-FVP Series is 16 gauge satin coat steel door and 16 gauge satin coat steel frame.
The MI-FVPSS Stainless Steel Series is 16 gauge #304 stainless steel door and frame.

DOOR:
Has a 1 1/2" (38) diameter hole in the center of the panel for the flush valve pushbutton.

FRAME:
Two piece construction with 5/16" x 11/16" (8 x 17.5) OBL Slots for easy installation.

OPTIONAL:
- solid door with no hole in the middle
- Suffix "-NH".

LATCH:
Four 1/4" (6) - 20 x 1" (25) tamper resistant stainless steel Torx screws.

FINISH:
Steel doors have a primed white finish. Stainless steel doors have a #4 brush satin finish.

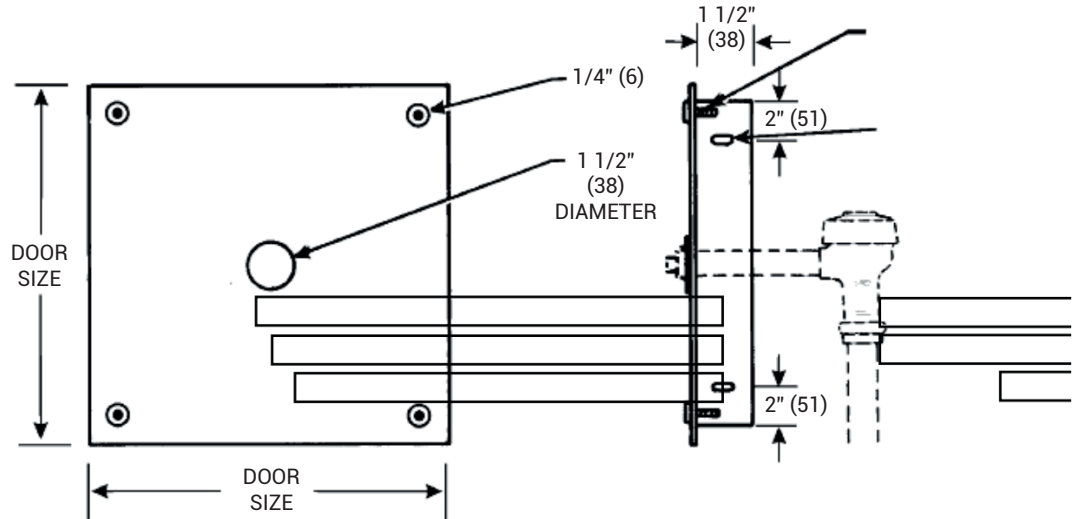
PACKAGING: Individual pack



SKU: MI FVP
FLUSH VALVE PANEL

DIMENSIONS AND APPEARANCE

>> CLICK TO VIEW ADDITIONAL DETAILS AND PRICING <<



"B" x "A"	WALL OPENING	SHP WEIGHT (lbs.)	LATCHES	MILD STEEL MODEL#	STAINLESS STEEL MODEL #
MI-FVP-1	12" x 12"	10 1/2" x 10 1/2"	6.0	MI-FVP1212	MI-FVPSS1212
MI-FVP-2	13" x 17"	11 1/2" x 15 1/2"	7.0	MI-FVP1317	MI-FVPSS1317

SUFFIX	OPTIONAL VARIATIONS
- BA	Buy American Act compliant product
- PA	Pennsylvania Steel Act compliant product

(Dimension) Denotes Millimetres
Note: The hinge is always furnished on the "A" or height (longer) dimension, unless otherwise specified.

CALIFORNIA PROPOSITION 65 WARNING.

This product contains chemicals known to the State of California to cause cancer and birth defects or other reproductive harm.

PROJECT DATA

Custom Sizes Available - Fast!

PROJECT NAME :	QTY	W	H	OPTIONS
ARCHITECT :				
DEALER :				
CONTRACTOR :				
LOCATION :	SPECIAL INSTRUCTIONS :			
DATE :	SUBMITTAL APPROVAL : (signature or stamp)			
TAGGING INSTRUCTIONS :				

Scan or Click



To view Pricing and Additional Product Info.

TELEPHONE:
1-888-457-1275
FAX:
1-888-626-2907



PO BOX 66738 #76520,
SAINT LOUIS, MO
63166-6738
USA



WEBSITE:
www.AccessDoorsAndPanels.com
E-MAIL:
info@AccessDoorsAndPanels.com